

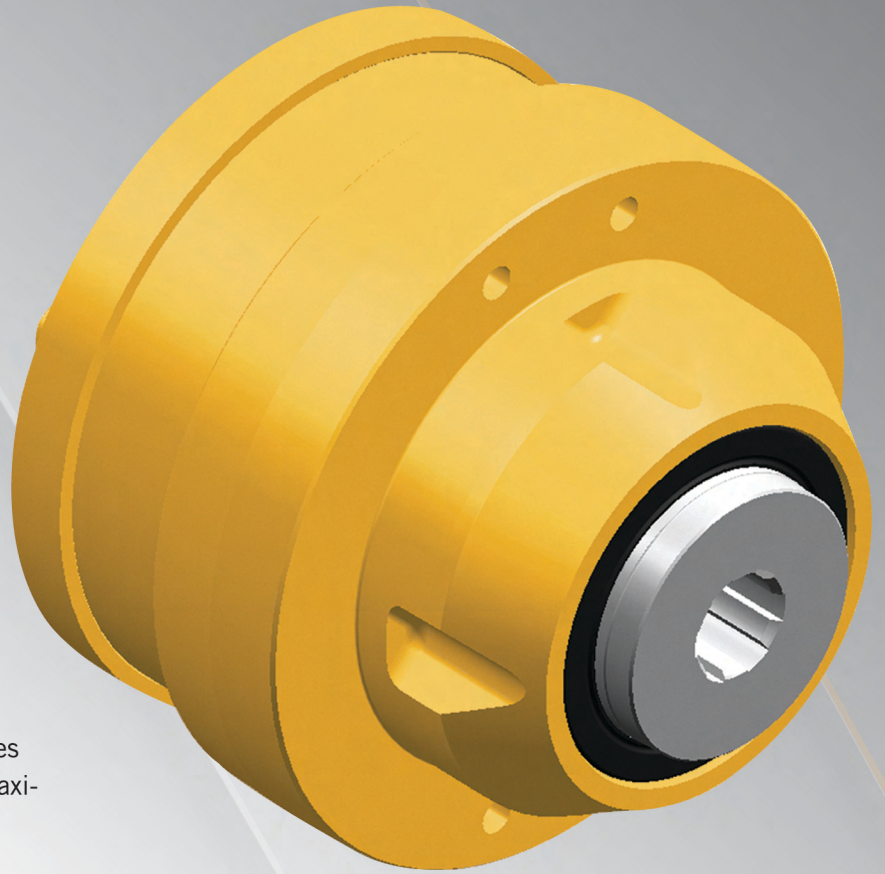
## PTO Planetary Pump Drive

### More Power, Longer Life

More than 60 years of engineering excellence, focused on designing and building the finest gear drive systems in the world, has brought Auburn Gear to the development of a superior pump drive gearbox for agricultural and industrial implements.

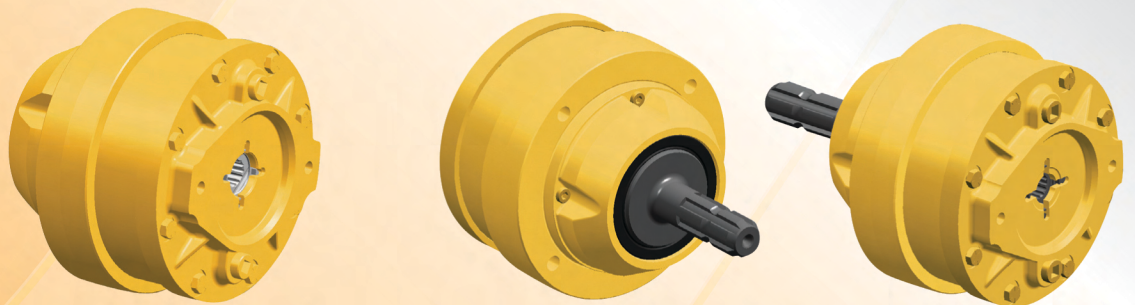
No other manufacturer combines all of these features for exceptional power, performance longevity and maximum life-cycle value.

- 25 to 40 percent more horsepower and input torque capacity than other available PTO pump drives—giving you increased gearbox life and additional power capacity if needed.
- Sealed gear housing—saving you the cost of additional plumbing otherwise needed to flush competitive units with hydraulic fluid.
- Self-contained high-pressure gear lube—providing optimal lubricity for longer gear life.
- High-capacity tapered roller bearings—optimizing shaft stability for reduced wear versus ball bearings in competitive units.
- Heat-treated input and output gear splines—increasing wear-resistance and durability.



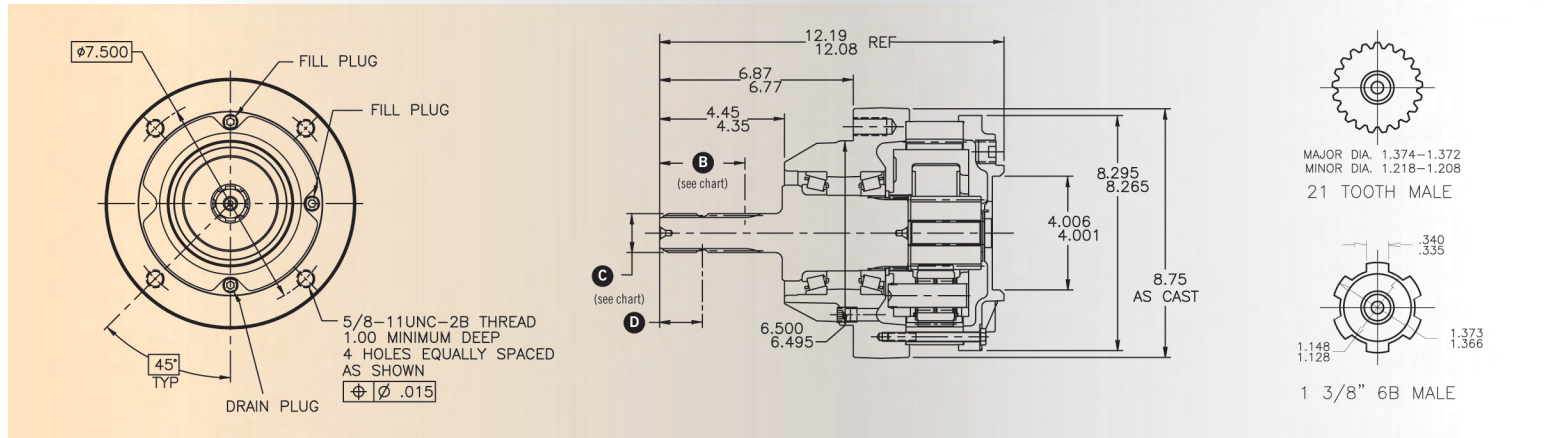
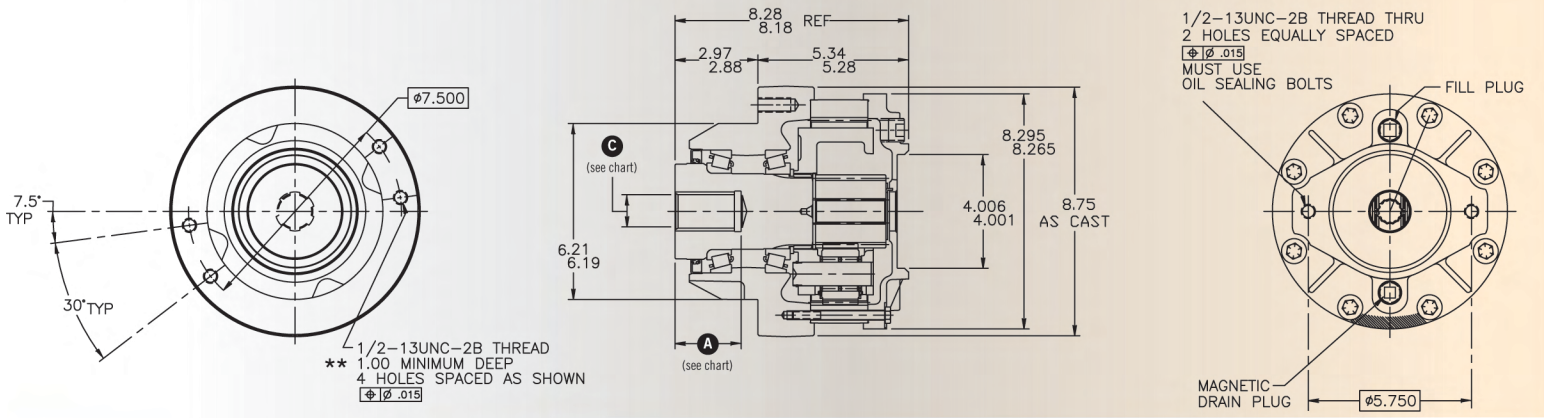
### APPLICATIONS

**Spinner spreaders / Augers / Pumps**  
**Grain wagons / Rotary tillers / Orchard sprayers**  
**Mower conditioners / and other agricultural and industrial implements**





# DIMENSIONAL SPECIFICATIONS



## PERFORMANCE SPECIFICATIONS

### PTO Planetary Pump Drive Models

	PTO Planetary Pump Drive Models				
	540 RPM PTO			1,000 RPM PTO	
Order codes	5TB-13-03-A4	5TB-13-03-A6	5TB-13-02-A7	5TB-13-02-A5	5TB-13-02-A8
Gear ratio	1: 3.75	1: 3.75	1: 2.79	1: 2.79	1: 2.79
Pump RPM	2,025	2,025	2,790	2,790	2,790
Pump mount	SAE "B" - 13T	SAE "B" - 13T	SAE "B" - 13T	SAE "B" - 13T	SAE "B" - 13T
Max. continuous input torque	487 lb-ft 5,840 lb-in 659.8 Nm	487 lb-ft 5,840 lb-in 659.8 Nm	263 lb-ft 3,153 lb-in 356.2 Nm	263 lb-ft 3,153 lb-in 356.2 Nm	263 lb-ft 3,153 lb-in 356.2 Nm
Max. intermittent input torque	725 lb-ft 8,700 lb-in 983.0 Nm	725 lb-ft 8,700 lb-in 983.0 Nm	395 lb-ft 4,744 lb-in 536.0 Nm	395 lb-ft 4,744 lb-in 536.0 Nm	395 lb-ft 4,744 lb-in 536.0 Nm
Max. continuous input horsepower	50 HP 37.3 kW	50 HP 37.3 kW	50 HP 37.3 kW	50 HP 37.3 kW	50 HP 37.3 kW
Max. intermittent input horsepower	75 HP 55.6 kW	75 HP 55.6 kW	75 HP 56.1 kW	75 HP 56.1 kW	75 HP 56.1 kW
Max. operating temp.	225° F 107.2° C	225° F 107.2° C	225° F 107.2° C	225° F 107.2° C	225° F 107.2° C
Max. case pressure*	10 psi	10 psi	10 psi	10 psi	10 psi
<b>A</b> Max. spline depth	2.33"	NA	2.83"	2.83"	NA
<b>B</b> Min. full depth of spline	NA	3.00"	NA	NA	2.50"
<b>C</b> Number of teeth - Spline diameter	6T-1.375" female	6T-1.375" male	20T-1.750" female	21T-1.375" female	21T-1.375" male
<b>D</b> Distance to lock-pin radius	NA	1.50"	NA	NA	1.00"

\*Closed system—do not flush with hydraulic fluid.

\*\*Caution: an anti-torque arm is required to secure the gearbox when installed on PTO shaft.



Auburn Gear Inc. | 400 East Auburn Drive | Auburn, IN (USA) 46706-3499

phone | 260.925.3200 fax | 260.925.4725 visit | AuburnGear.com