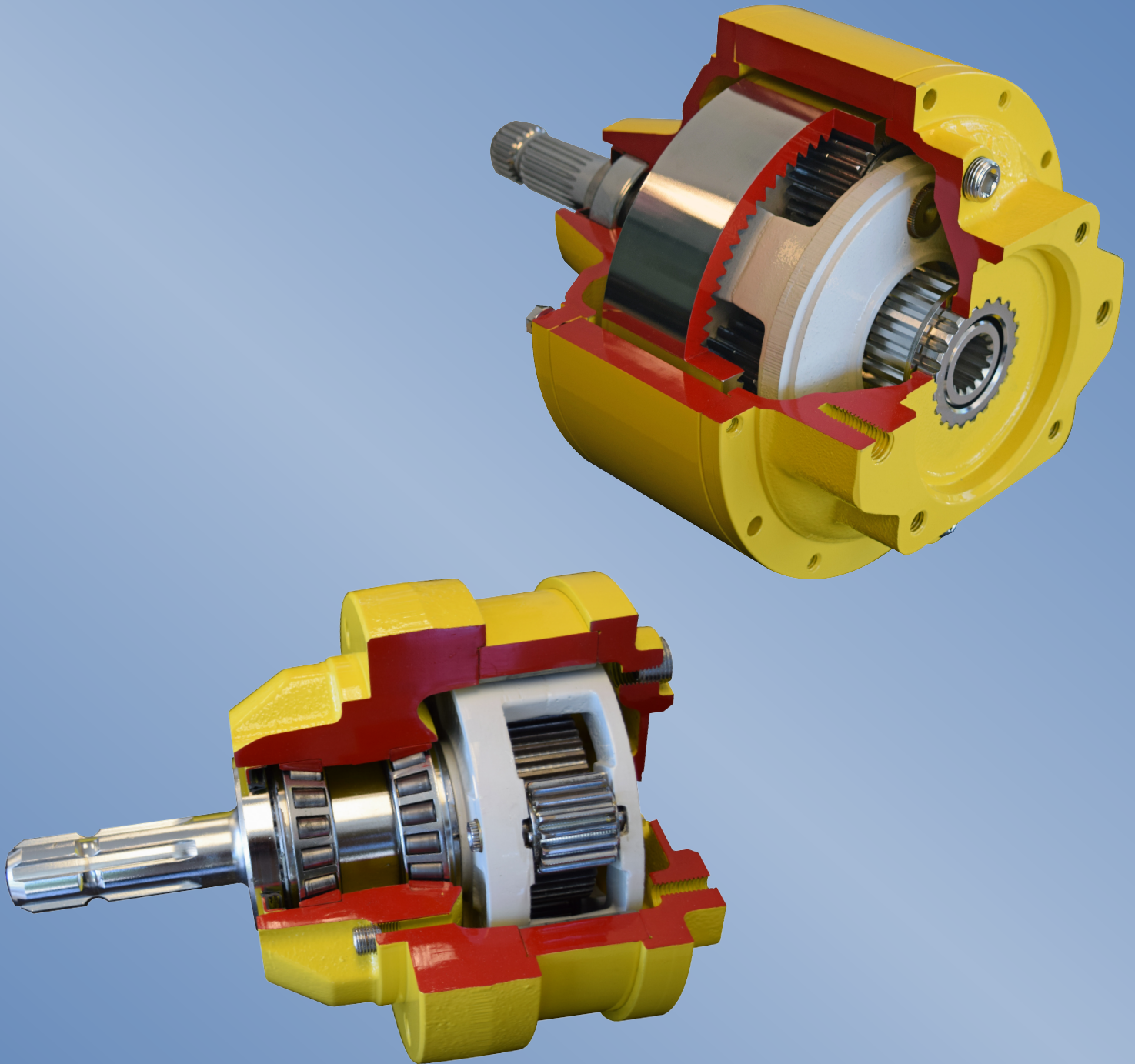


# **Auburn Gear**

Engineered Drive Solutions



— *Power Wheel*® —

— *Model 8 PTO Drive* —

# Power Wheel® Model 8 PTO Drive

## FEATURE CHART: MODEL 8 PTO DRIVES

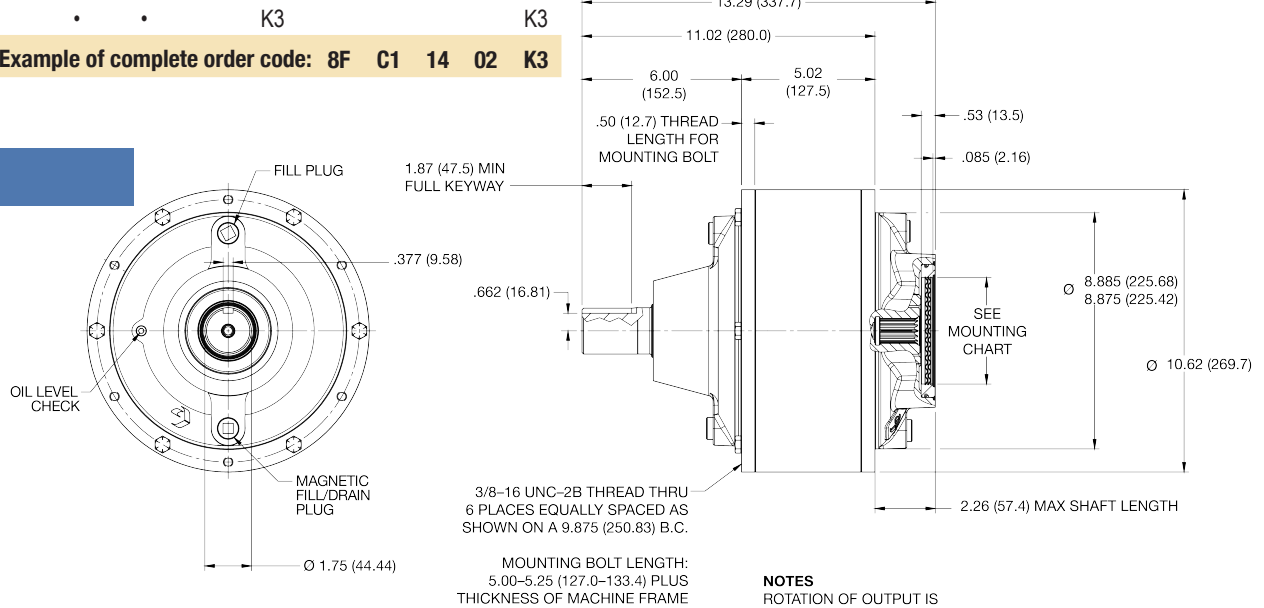
Options	Description	Make All Selections In One Column	Order Codes	Use Option Order Codes to Build Order Number
<b>Base Model</b>	Model 8	•	8F	8F
<b>Motor Pilot/Hub</b>	SAE B – 2 Bolt	•	B1	C1
	SAE C – 2 and 4 Bolt	•	C1	
	SAE C – 2 and 4 Bolt	•	C	
<b>Input Spline</b>	13T 16/32	•	13	14
	14T 12/24	•	14	
	15T 16/32	•	15	
<b>Ratio Options</b>	1:2.92	•	02	02
	1:3.92	•	03	
<b>Input Shaft Options</b>	21T-1 3/8" Splined	•	A8	K3
	2.00" Keyed	•	K1	
	1.75" Keyed	•	K3	

Example of complete order code: **8F C1 14 02 K3**

## MOTOR MOUNTING CHART

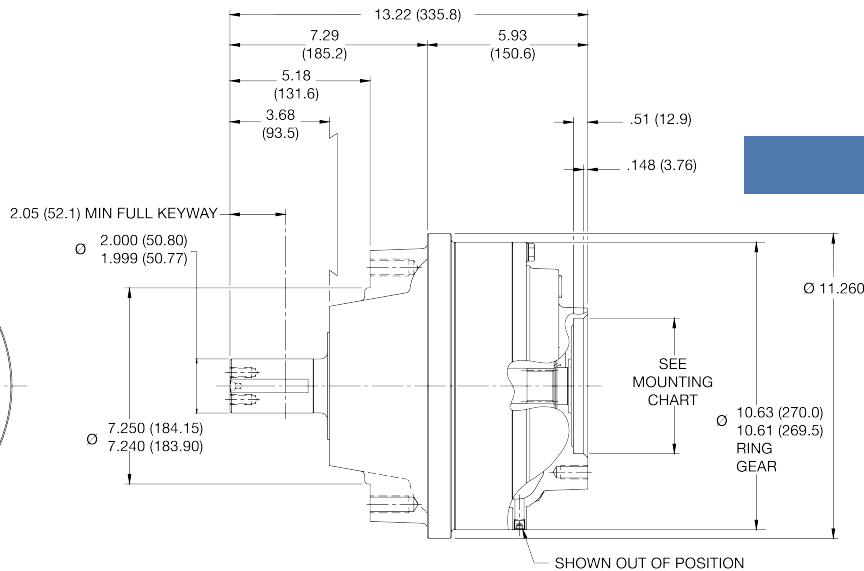
SAE	# of Tapped Holes, Thread Size and Bolt Circle	Pilot Diameter
<b>B</b>	(2) 1/2"-13UNC-2B on a 5.75" (146.05mm) B.C.	1.001"-4.006" (101.62-101.75mm)
<b>C</b>	(4) 1/2"-13UNC-2B on a 6.375" (161.93mm) B.C.	5.001"-5.006" (127.02-127.15mm)
	AND (2) 5.8"-11UNC-2B on a 7.125" (180.98mm) B.C.	

## 8FB1, 8FC1



**NOTES**  
ROTATION OF OUTPUT IS OPPOSITE OF INPUT ROTATION

## 8FC



OUTPUT SHAFT ROTATION SAME AS MOTOR SHAFT ROTATION

MOTOR MOUNT REQUIRES CUSTOMER SUPPLIED O-RING SAE "C" 2-159